



PEDIA is a classic series for educational rooms and auditoriums with great durability and functionality. Where the endurance and economy play the first role this series gives the solution. Wood and steel or upholstered versions provide great comfort for long lasting events or work.

PEDIA series Technical Characteristics

General:

It consists of seat, backrest, side metal supporting frame (leg) and can be equipped with fixed or anti-panic table. The side metal supporting frame (leg) with is inserted between two successive seats and the end of each row finishes with an additional side frame (leg).

The seat tilts automatically to provide more free space.

Pedia's parts can be easily removed if there is a need to be replaced.

All metal parts are painted with epoxy powder.

Seat:

It is available in two versions:

a) Wooden seat:

It is made of 12mm thick multilayered beech wood shells. It is covered with varnish to make the wood waterproof and flame retardant. It is anatomical shaped.

b) Upholstered seat:

It is made of 12mm thick multilayered beech wood shells. It is upholstered with flame retardant polyurethane foam and fabric. It is anatomical shaped.

The seat tilts automatically noiseless facilitated by two aluminum mechanisms placed at the legs and it is ease replaceable.

Backrest:

It is available in two versions:

a) Wooden backrest:

It is made of 12mm thick multilayered beech wood shells. It is covered with varnish to make the wood waterproof and flame retardant. It is anatomical shaped suitable for long lasting events or work.

b) Upholstered backrest:

It is made of 12mm thick multilayered beech wood shells. It is upholstered with polyurethane foam and flame retardant fabric. It is anatomical shaped suitable for long lasting events or work.

Frame:

The chair's lateral leg system consists of 66X26X2,5mm oval steel tube or 70X30X2,5mm rectangular tube with a 310mm length foot, it permits easy fixation to the floor and insures great stability. The distance between anchoring holes is 25cm.

Leg is constructed according to the floor's geometry.

Fixed table:

Fixed table on the back of the seat is made of laminate covered MDF. Its thickness is up to 30mm. Table's shape follows the backrest's curve.

A metal case for small objects and papers could be placed under the table.

Anti-Panic table:

Anti-Panic table on the back of the seat is made of laminate covered MDF with maximum total thickness up to 30mm. It is operated by a two double aluminum brackets system.

A metal case for small objects and papers could be placed between chair's legs.

Individual standing table:

Seats can be combined with an individual standing table matched to the seat's specifications.

Frontal panel:

In case of chair with table the front line is equipped with table only and it is equipped with a frontal panel. The last line is not equipped with table.

Cables and devices housing:

The chair can be equipped with aluminum bar in order to house wires and electrical outlets (220V, RJ45, USB charger etc). Also the chair can be equipped with a special steel bar to house microphone and translation devices.

Upholstery:

The customer may choose the upholstery from our wide range of high quality and flame retardant fabrics.

Certificates:

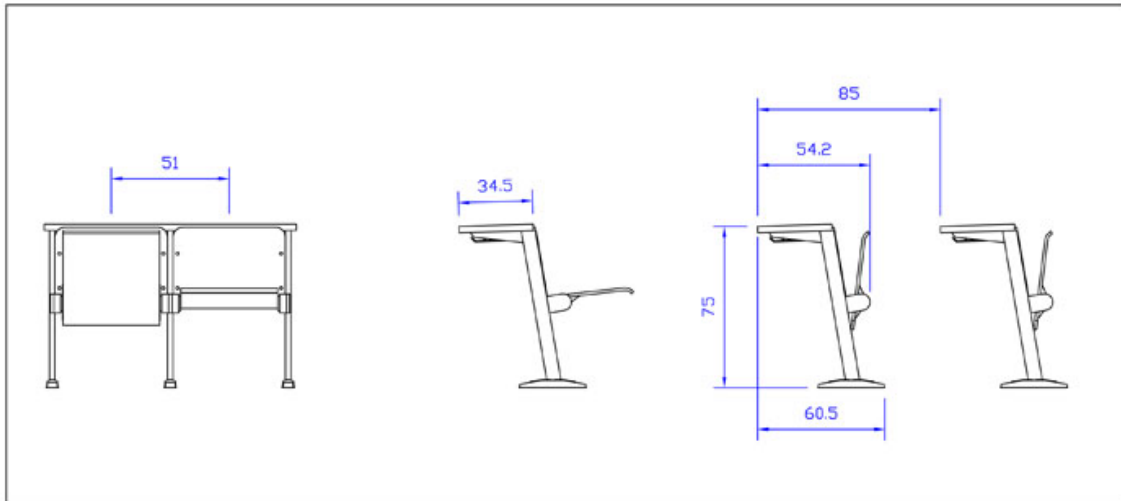
BIRO is ISO 9001, ISO 14001 and ISO 45001 certificated.

Seat’s strength, stability, certificates are available upon request.
 Upholstery is certificated for strength, flammability and other characteristics.

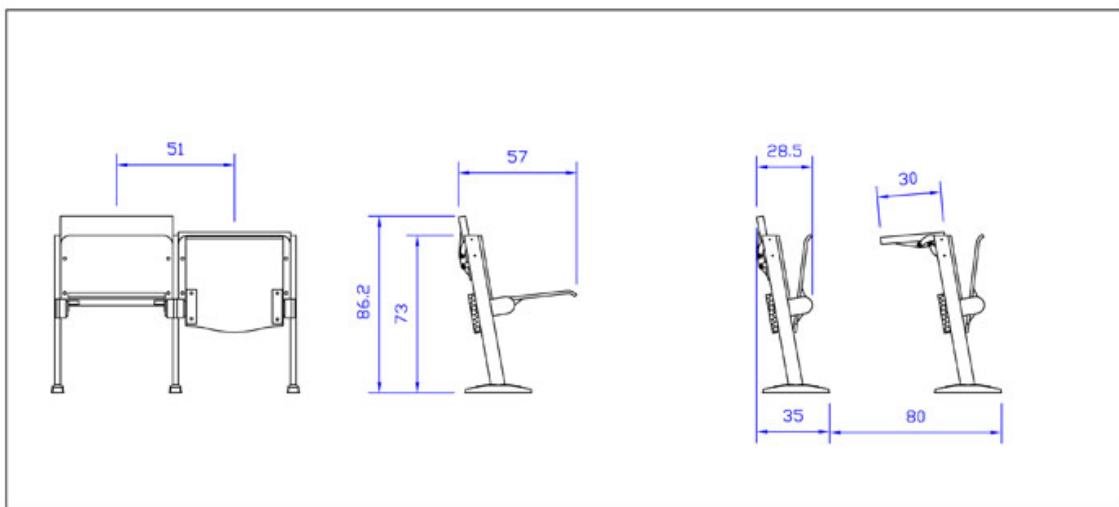
Other options:

Numerous Seat & Row Numbering Alternatives, corridor lighting systems.

Dimensions*:



With fixed table



With Anti-Panic table

Axon’s distance between chairs could be from 50 up to 55,5cm.

** Dimensions are indicative and they could be modified according to the needs*