



*The SYNTIA series covers a wide range of applications where durability, usability and functionality are of great importance.*

*It provides public seating solutions for all types of educational, institutional & corporate auditoriums.*

*For cinemas SYNTIA series offers comfort and durability.*

*It can be combined with tables, desks, translation and audio systems to form a comprehensive solution for many end-user needs.*

*The wealth of applications has made this series timeless.*

### SYNTHIA series Technical Characteristics

#### General:

SYNTHIA series can be installed in straight or curved lines (unless it is equipped with Anti-Panic table at the backrest in which case it can only be installed in straight lines).

It consists of seat, backrest, and side metal supporting frame (leg) with armrest. The side metal supporting frame with the arm is inserted between two successive seats and the end of each row finishes with an additional side frame.

The seat tilts automatically to provide more free space.

Backrest, seat and arms can be easily removed if there is a need to be replaced.

All metal parts are painted with epoxy powder.

#### Backrest:

It consists of 7cm thick flame retardant integral polyurethane foam cushion, with metal internal frame, housed in injected plastic (Copolymer Polypropylene) shell, in a way that ensures upholstery protection.

The plastic shell is a structural element and not a simple cover.

Optionally it may have an internal wooden frame made of 10mm MDF upholstered with foam.

Optionally the backrest could be fully upholstered covering all plastic parts.

#### Seat:

It consists of 11cm thick flame retardant integral polyurethane foam cushion, with metal internal frame and springs, housed in injected plastic (Copolymer Polypropylene) shell, in a way that ensures upholstery protection.

Optionally it may have an internal wooden frame made of 10mm MDF upholstered with foam.

The plastic shell is a structural element and not a simple cover.

Optionally the seat could be fully upholstered covering all plastic parts.

Automatic seat - raising system is operated through a double spring system located inside the shell.

Optionally the seat could be equipped with a gravity operated automatic seat – raising system.

**Frame:**

The chair's lateral leg system consists of 80X40X2mm steel tube with a 310mm length foot, it permits easy fixation to the floor and insures great stability. The distance between anchoring holes is 25cm.

Leg is constructed according to the floor's geometry and permits straight or curved installation.

**Armrests:**

Armrests are made of black integral polyurethane with metal internal frame for long hard use, needing no maintenance.

Arms with cup-holder (for cinemas, theatres) or timber arms are also available.

**Anti-Panic writing tablet:**

Optional Anti-Panic writing tablet concealed in the armrest is made of plywood covered with high pressure laminate (HPL). It operates based on an anti-panic inclination system with aluminum bracket and steel mechanism. While the writing tablet is not in use, it is covered in an upholstered case inside the arm. Tablet's dimension is 295X280mm with 16mm thickness.

Optional seat could be equipped with Anti-Panic writing tablet attached to the armrest which is made of plywood covered with high pressure laminate (HPL) and operated by a aluminum mechanism. In folded position it remains visible.

**Anti-Panic table:**

Optional Anti-Panic table on the back of the seat is made of MDF (laminate or melamine covered) with maximum total thickness up to 30mm. It is operated by a two double aluminum brackets system.

**Fixed table:**

Optional fixed table on the back of the seat is made of particle board or MDF (laminate or melamine covered) with maximum total thickness up to 30mm.

**Individual standing table:**

Seats can be combined with an individual standing table matched to the seat's specifications.

**Cables and devices housing:**

In case where there is a need for microphone and translation devices the chair enables wiring installation. It permits wiring access and connections.

**Upholstery:**

The customer may choose the upholstery from our wide range of high quality and flame retardant fabrics. Foam parts could be flame retardant after request.

**Certificates:**

BIRO is ISO 9001, ISO 14001 and ISO 45001 certificated.



**EN ISO 9001:2015**



**EN ISO 14001:2015**



**ISO 45001:2018**

Chair is certificated for strength according to EN 12727 level 4 standard with additional seat certification for 500.000 working cycles, and for flammability according to EN 1021-1 & EN 1021-2 standards.

It is certificated for its acoustic behavior according to ISO 354-85 standard.

Upholstery is certificated for\*:

- Abrasion resistance (rubs): ISO 12947-2 (Martindale) 150.000
- Flammability: EN 1021-1 & 2, BS Crib 5
- Light fastness (blue scale): ISO 105-B02 (Xenotest)
- Fastness to rubbing (grey scale): ISO 105-X12 (Crockmeter)

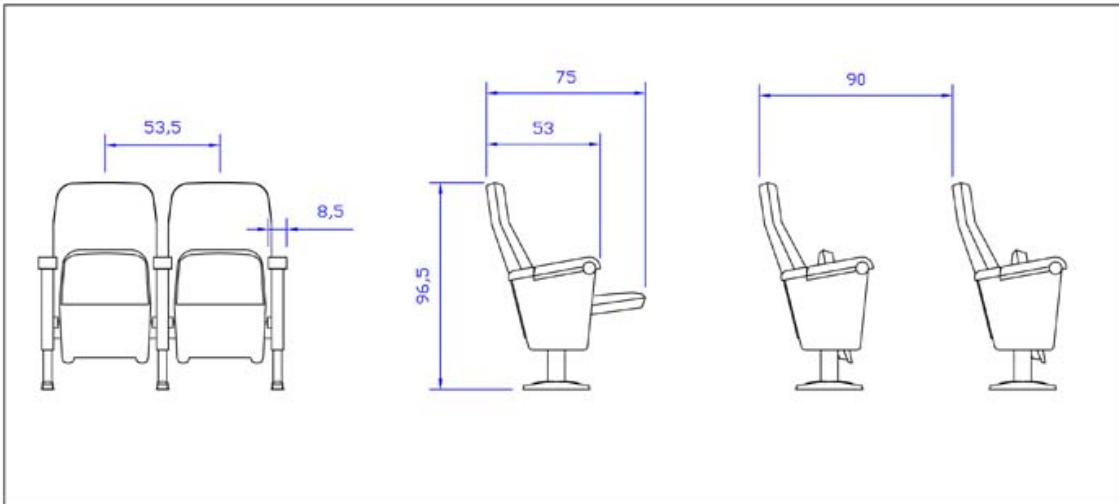
\* *certificates for BONDAL series fabrics*

Foam is certificated for flammability according to EN 1021-1 & EN 1021-2 and BS 5852: Part 2, Ignition source 5 (Crib 5) standards.

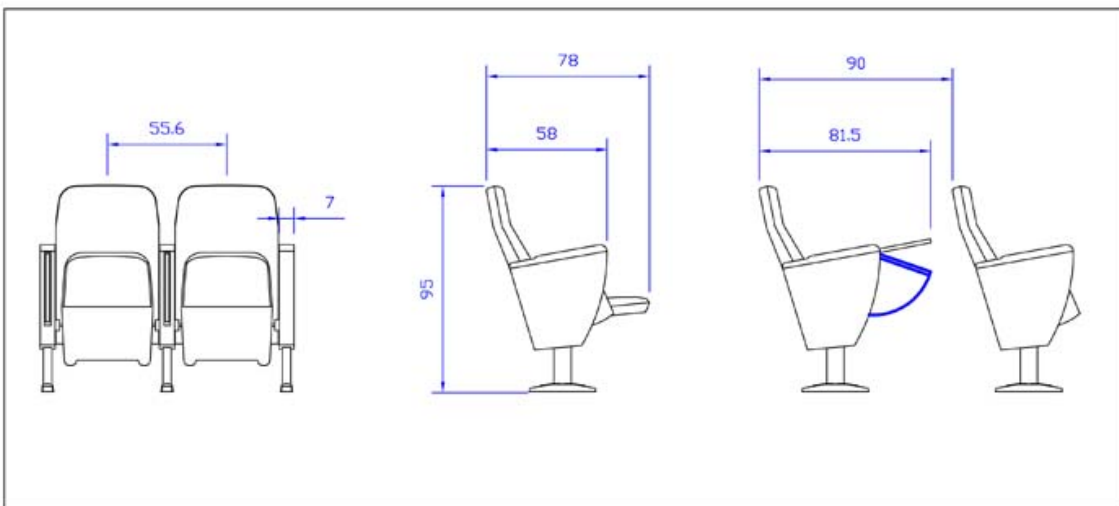
**Other options:**

Numerous Seat & Row Numbering Alternatives, Integrated Lighting & Translation & Audio Management Alternatives, corridor lighting systems.

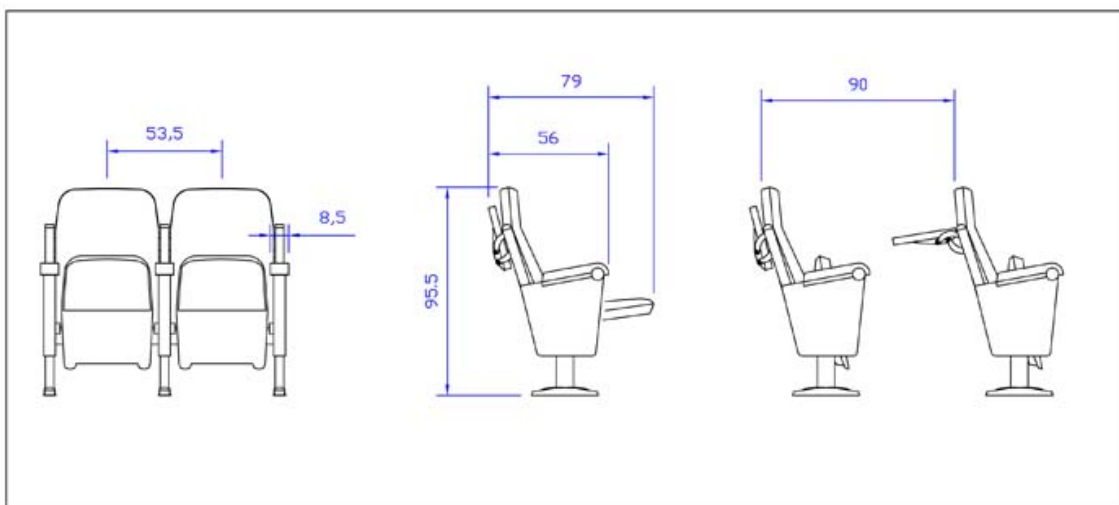
Dimensions\*:



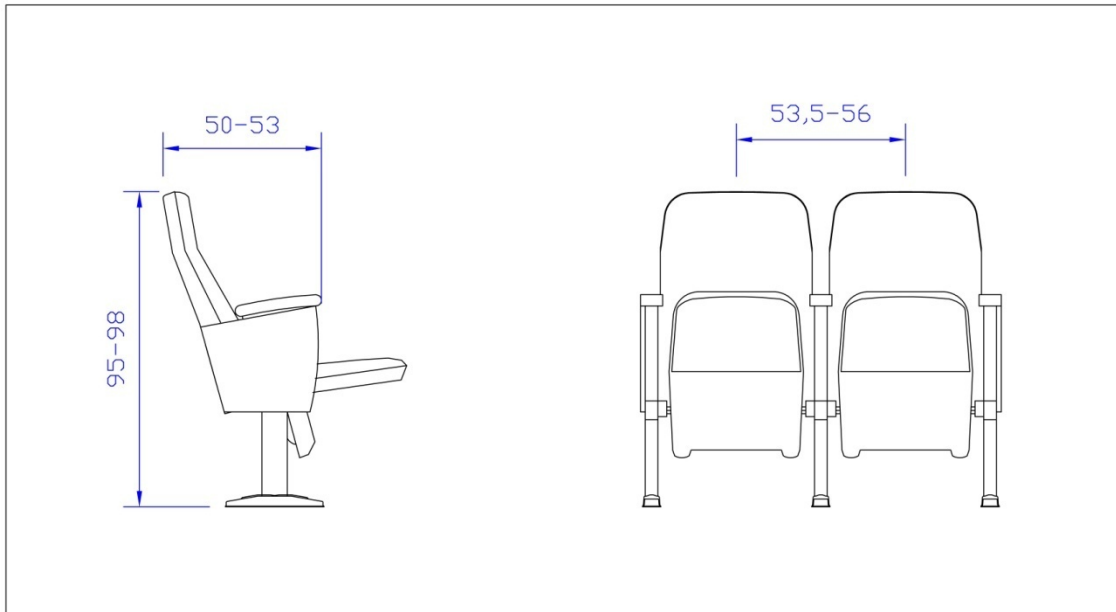
Standard model



With Anti-Panic writing tablet



With Anti-Panic writing table



SYNTHIA light

*\* Dimensions are indicative and they could be modified according to the needs*