



*The SYNTIA XYLO series combines solid volumes with a wooden touch.*

*Comfortable seating for long time use. Offers the option of color presentation through the quality fabric finishing. Suitable for conference rooms, theaters, cinemas, universities and generally for halls and auditoriums of high standards.*

*It has mid level sound absorption which is perfect for these rooms.*

### SYNTHIA XYLO series Technical Characteristics

#### General:

The SYNTIA XYLO series can be installed in straight or curved lines (unless it is equipped with Anti-Panic table at the backrest in which case it can only be installed in straight lines).

It consists of seat, backrest, and side metal supporting frame (leg) with armrest. The side metal supporting frame with the arm is inserted between two successive seats and the end of each row finishes with an additional side frame.

The seat tilts automatically to provide more free space.

Backrest, seat and arms can be easily removed if there is a need to be replaced.

All metal parts are painted with epoxy powder.

#### Backrest:

Backrest's internal frame is made of 12-14mm total thickness multiply beech layers with flame retardant polyurethane foam. The cushion is anatomical shaped. Cushion's average thickness is 65mm, polyurethane foam density is 30Kg/m<sup>3</sup> minimum and it is upholstered with flame retardant fabric.

At the backrest's rear and down position there is a metal or wooden cover for the upholstery's protection.

#### Seat:

Seat's cushion is made of cold-moulded polyurethane foam anatomically shaped and upholstered with flame retardant fabric. In the cushion there is a metal frame.

Seat could be fully upholstered or optionally it could be frontal covered with beech, oak, walnut or chestnut veneer. Optionally this wooden cover could be perforated for sound absorption reasons.

Optionally seat could consist of 10cm thick flame retardant integral polyurethane foam (40Kg/m<sup>3</sup>) cushion, with metal internal frame, housed in injected plastic (Copolymer

Polypropylene) shell, in a way that ensures upholstery protection. Optionally the seat could be fully upholstered covering all plastic parts.

Automatic seat - raising system is operated through a double spring system located inside or optionally it could be operated by gravity without any springs.

**Frame:**

The chair's lateral leg system consists of 80X40X2mm steel tube with a 310mm length foot, it permits easy fixation to the floor and insures great stability. The distance between anchoring holes is 25cm. Leg is constructed according to the floor's geometry and permits straight or curved installation.

**Armrests:**

Armrest is made of solid beech wood and it covers all the upper part of the frame. Its thickness is 14mm and it could be naked or upholstered.

**Anti-Panic writing tablet:**

Optional Anti-Panic writing tablet concealed in the armrest is made of plywood covered with high pressure laminate (HPL). It operates based on an anti-panic inclination system with aluminum bracket and steel mechanism. While the writing tablet is not in use, it is covered in a case inside the arm. Tablet's dimension is 375X235 with 16mm thickness.

**Anti-Panic table:**

Optional Anti-Panic table on the back of the seat is made of MDF (laminated or melamine covered) with maximum total thickness up to 30mm. It is operated by a two double aluminum brackets system.

**Individual standing table:**

Seats can be combined with a individual standing table matched to the seat's specifications.

**Cables and devices housing:**

In case where there is a need for microphone and translation devices the chair enables wiring installation. It permits wiring access and connections.

**Upholstery:**

The customer may choose the upholstery from our wide range of high quality and flame retardant fabrics.

**Certificates:**

BIRO is ISO 9001, ISO 14001 and ISO 45001 certificated.



✓ EN ISO 9001:2015



✓ EN ISO 14001:2015



✓ ISO 45001:2018

Chair is certificated for strength according to EN 12727 level 4 standard and for flammability according to EN 1021-1 & EN 1021-2 standards.

It is certificated for its acoustic behavior according to EN ISO 20354 standard.

Upholstery is certificated for\*:

- Abrasion resistance (rubs): ISO 12947-2 (Martindale) 150.000
- Flammability: EN 1021-1 & 2, BS Crib 5
- Light fastness (blue scale): ISO 105-B02 (Xenotest)
- Fastness to rubbing (grey scale): ISO 105-X12 (Crockmeter)

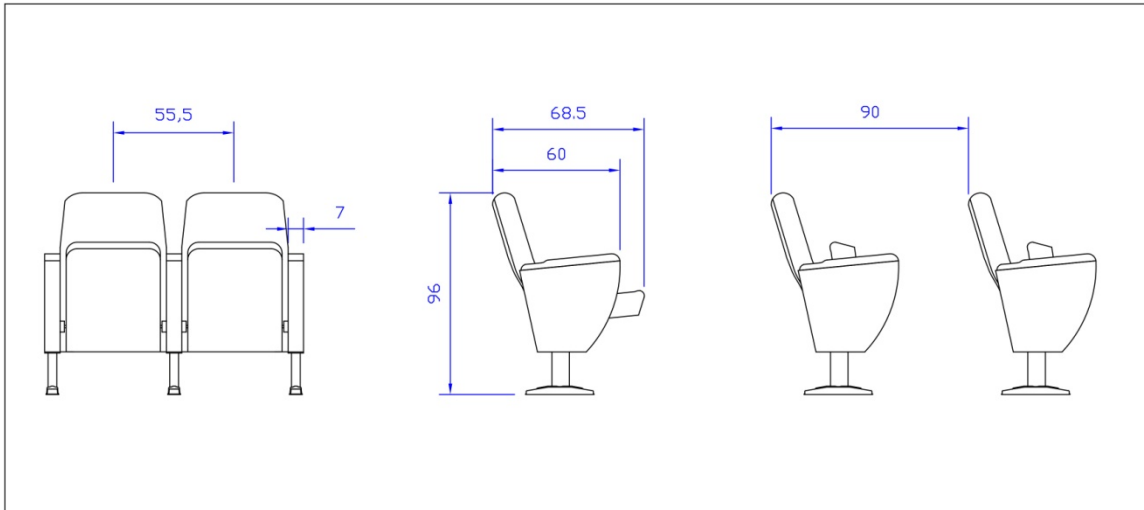
\* *certificates for BONDAL series fabrics*

Foam is certificated for flammability according to EN 1021-1 & EN 1021-2 and BS 5852: Part 2, Ignition source 5 (Crib 5) standards.

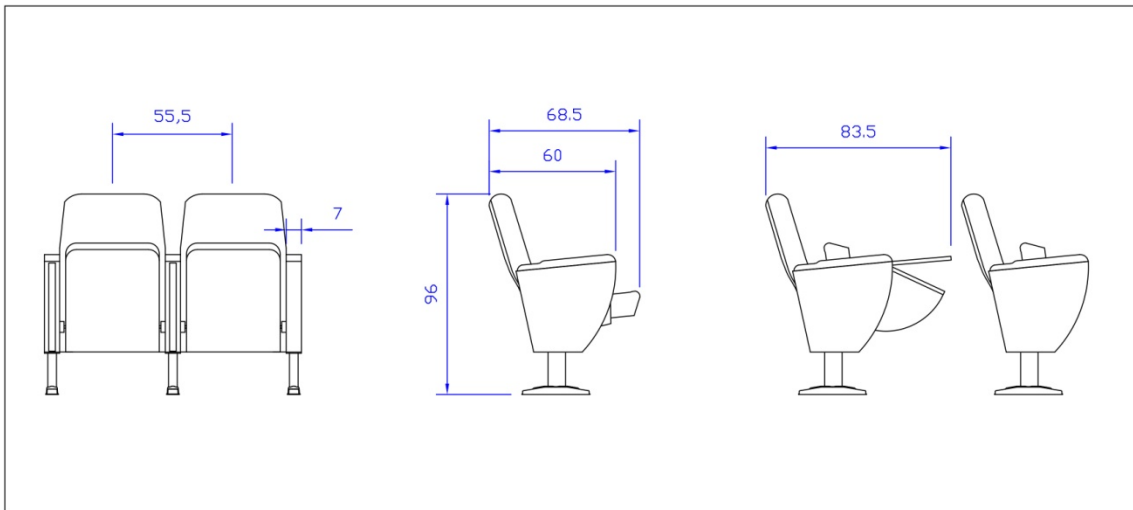
#### Other options:

Numerous Seat & Row Numbering Alternatives, Integrated Lighting & Translation & Audio Management Alternatives, corridor lighting systems.

**Dimensions\*:**



Standard model



With Anti-Panic writing tablet

*\* Dimensions are indicative and they could be modified according to the needs*