



*The TANIA series is known for its harmonic lines.
Covers a wide range of applications where not only durability and ergonomics are of great importance but also the need for smaller volumes.*

With low height but great comfort it is the perfect choice for different projects such as theaters and convention halls.

TANIA series Technical Characteristics

General:

TANIA series seats can be installed in straight or curved lines (unless it is equipped with Anti-Panic table at the backrest in which case it can only be installed in straight lines).

It consists of seat, backrest, and side metal supporting frame (leg) with armrest. The side metal supporting frame with the arm is inserted between two successive seats and the end of each row finishes with an additional side frame.

The seat tilts automatically to provide more free space.

Backrest, seat and arms can be easily removed if there is a need to be replaced.

All metal parts are painted with epoxy powder.

Backrest:

It consists of up to 12cm thick flame retardant integral polyurethane foam cushion, with metal internal frame, housed in injected plastic (Copolymer Polypropylene) shell, in a way that ensures upholstery protection.

The plastic shell is a structural element and not a simple cover.

Optional it may have an internal wooden frame made of 10mm MDF upholstered with foam.

Optionally the backrest could be fully upholstered covering all plastic parts. In that case backrest could have a metal or wooden cover rear and down in order to protect the upholstery.

Seat:

It consists of 11cm thick flame retardant integral polyurethane foam cushion, with metal internal frame, housed in injected plastic (Copolymer Polypropylene) shell, in a way that ensures upholstery protection. The plastic shell is a structural element and not a simple cover.

Optional it may have of an internal wooden frame made of 10mm MDF upholstered with foam.

Optionally the seat could be fully upholstered covering all plastic parts.

Automatic seat - raising system is operated through a double spring system located inside the shell.

Optional seat could be equipped with a gravity operated automatic seat – raising system.

Frame:

The chair's lateral leg system consists of 80X20X2mm metal tube or 80X40X2mm in some versions, with a 310mm length foot, it permits easy fixation to the floor and insures great stability. The distance between anchoring holes is 25cm.

Leg is constructed according to the floor's geometry and permits straight or curved installation.

Armrests:

Armrests are made of black integral polyurethane with metal internal frame for long hard use, needing no maintenance.

Arms with cup-holder (for cinemas, theatres) or timber arms are also available.

Anti-Panic writing tablet:

Optional Anti-Panic writing tablet concealed in the armrest is made of plywood covered with high pressure laminate (HPL). It operates based on an anti-panic inclination system with aluminum bracket and steel mechanism. While the writing tablet is not in use, it is covered in an upholstered case inside the arm. Tablet's dimension is 295X280mm with 16mm thickness.

Optional seat could be equipped with Anti-Panic writing tablet attached to the armrest which is made of plywood covered with high pressure laminate (HPL) and operated by a aluminum mechanism. In folded position it remains visible.

Anti-Panic table:

Optional Anti-Panic table on the back of the seat is made of MDF (laminate or melamine covered) with maximum total thickness up to 30mm. It is operated by a two double aluminum brackets system.

Fixed table:

Optional fixed table on the back of the seat is made of particle board or MDF (laminate or melamine covered) with maximum total thickness up to 30mm.

Individual standing table:

Seats can be combined with a individual standing table matched to the seat's specifications

Cables and devices housing:

In case where there is a need for microphone and translation devices the chair enables wiring installation. It permits wiring access and connections.

Upholstery:

The customer may choose the upholstery from our wide range of high quality and flame retardant fabrics. Foam parts could be flame retardant after request.

Certificates:

BIRO is ISO 9001, ISO 14001 and ISO 45001 certificated.



EN ISO 9001:2015



EN ISO 14001:2015



ISO 45001:2018

Chair is certificated for strength according to EN 12727 level 4 standard with additional seat certification for 500.000 working cycles, and for flammability according to EN 1021-1 & EN 1021-2 standards.

It is certificated for its acoustic behavior according to ISO 354-85 standard.

Upholstery is certificated for*:

- Abrasion resistance (rubs): ISO 12947-2 (Martindale) 150.000
- Flammability: EN 1021-1 & 2, BS Cribs 5
- Light fastness (blue scale): ISO 105-B02 (Xenotest)
- Fastness to rubbing (grey scale): ISO 105-X12 (Crockmeter)

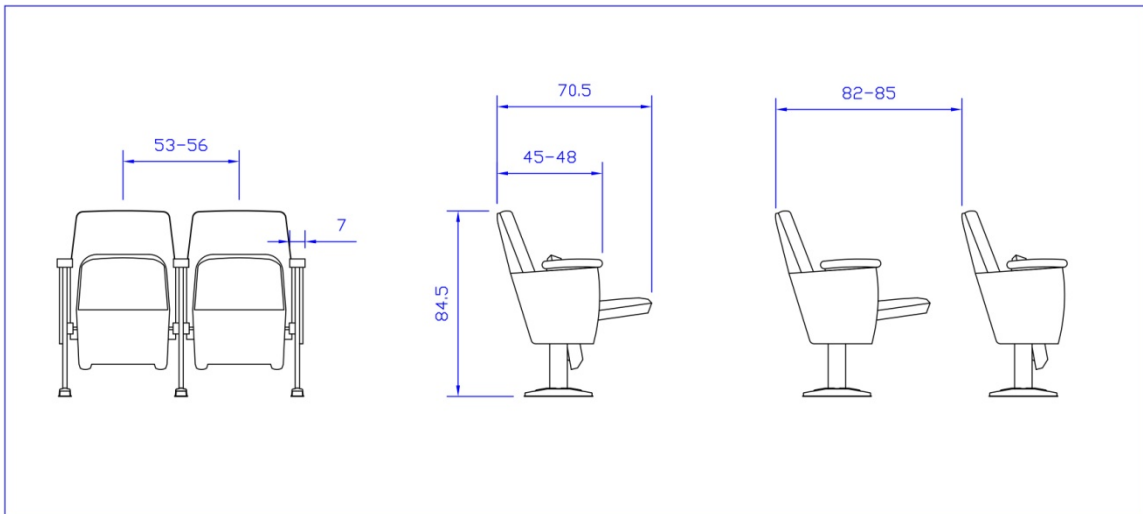
* certificates for BONDAL series fabrics

Foam is certificated for flammability according to EN 1021-1 & EN 1021-2 and BS 5852: Part 2, Ignition source 5 (Crib 5) standards.

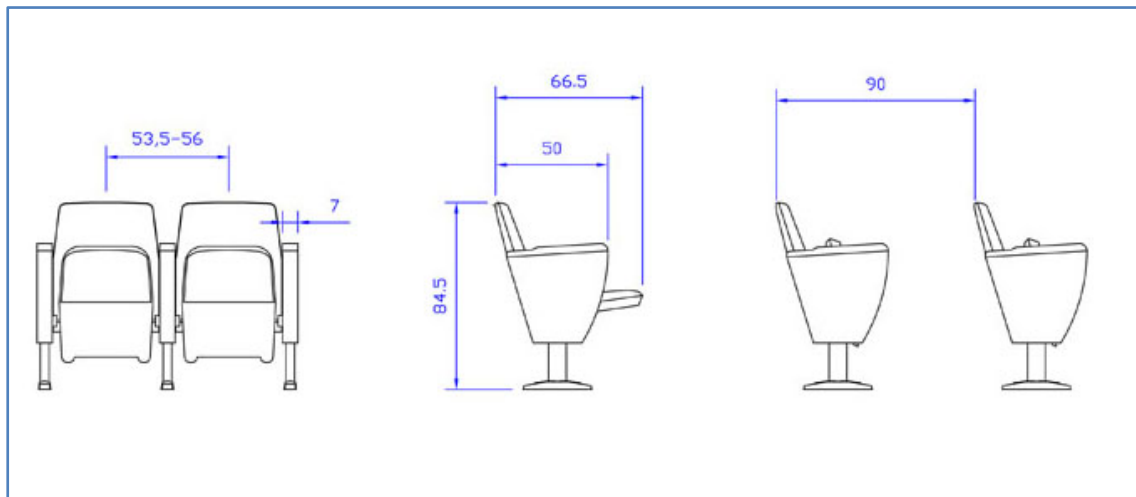
Other options:

Numerous Seat & Row Numbering Alternatives, Integrated Lighting & Translation & Audio Management Alternatives, corridor lighting systems.

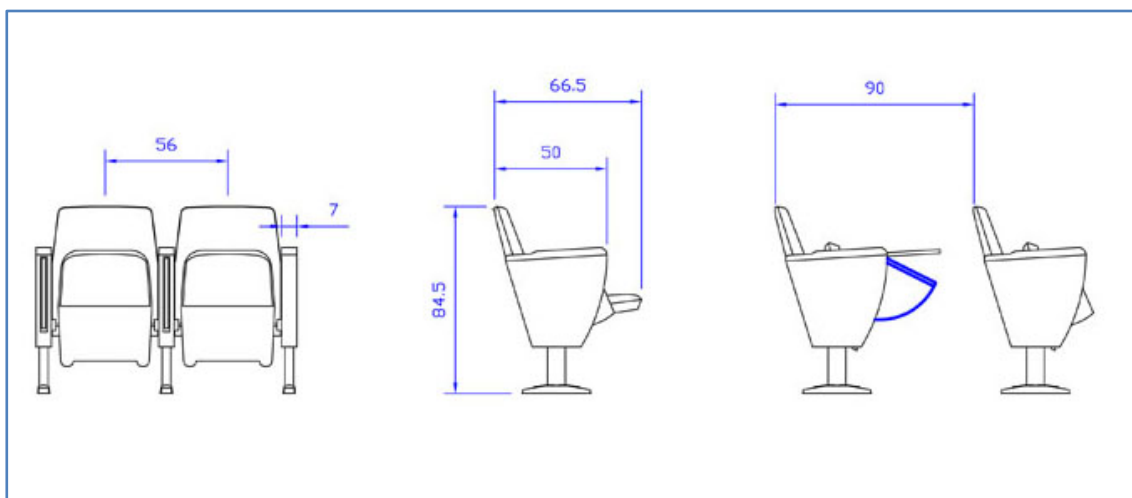
Dimensions*:



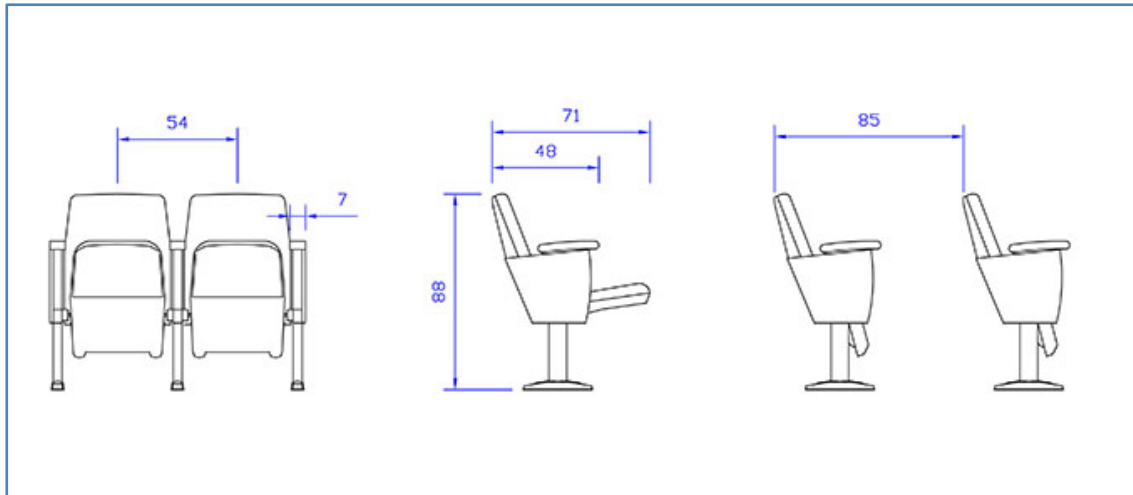
Standard model



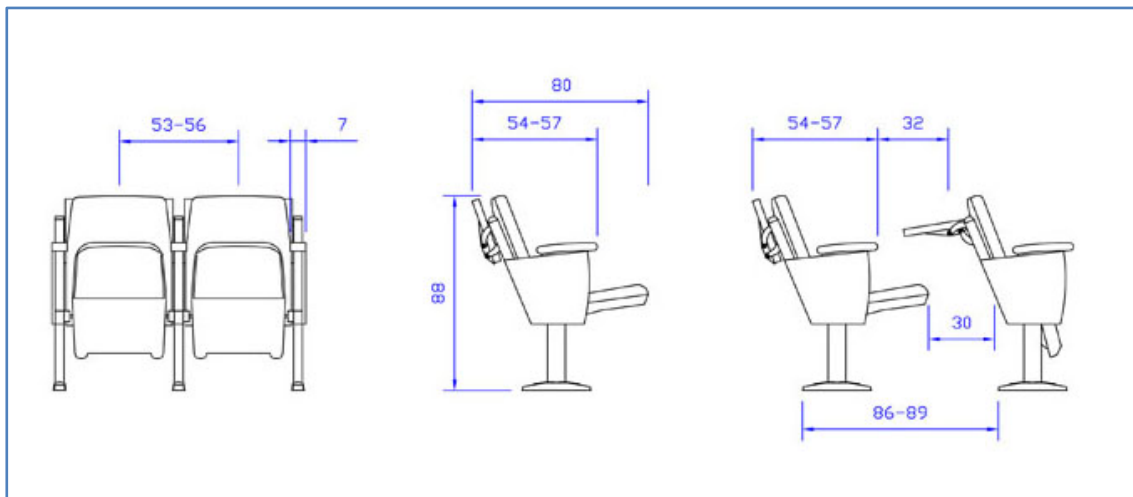
VIP



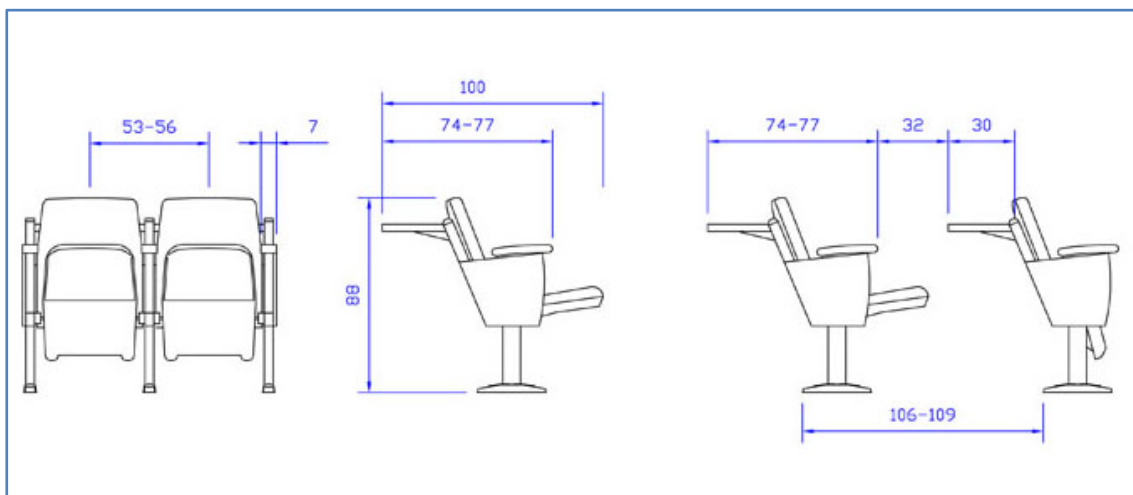
With Anti-Panic writing tablet



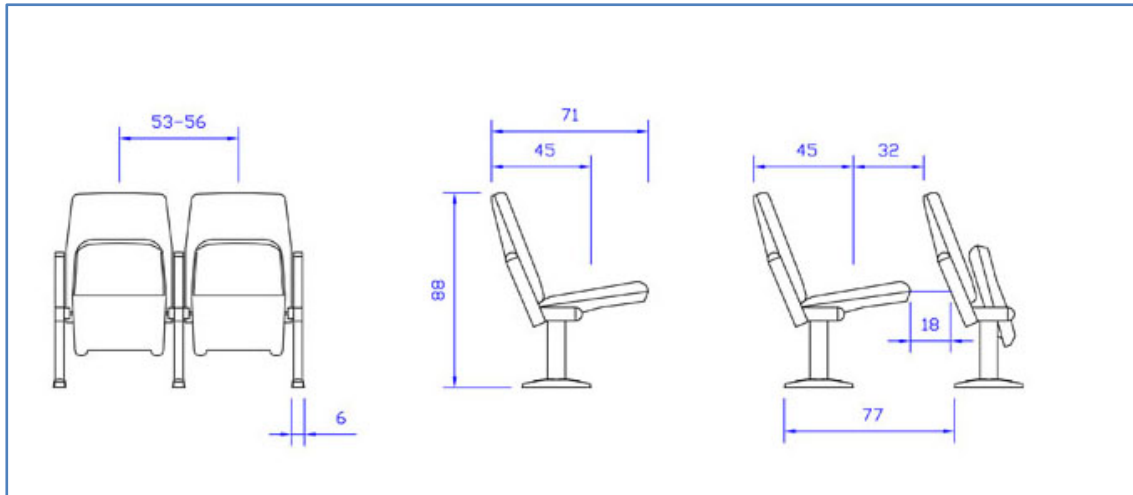
Light



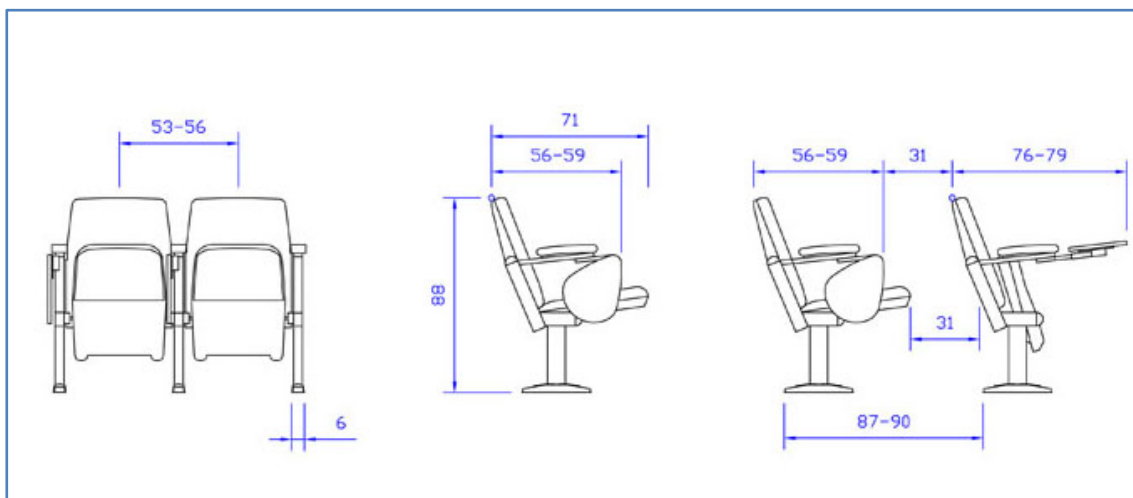
Light with Anti-Panic table



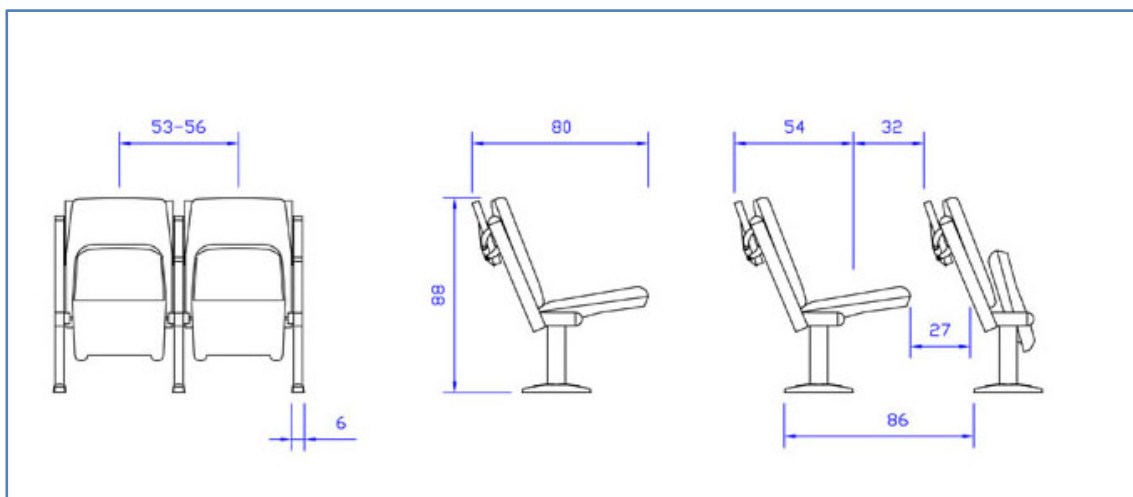
Light with fixed table



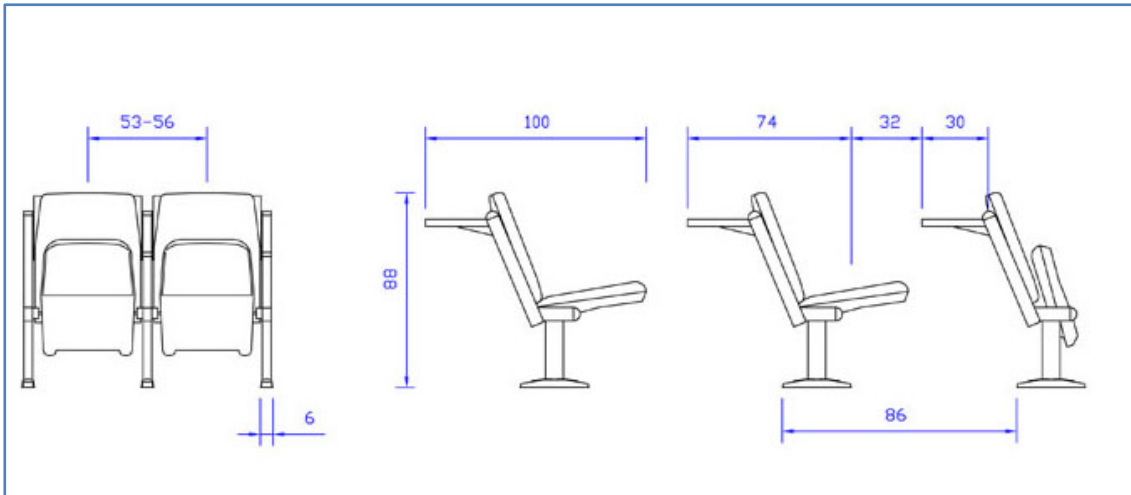
Light without armrests



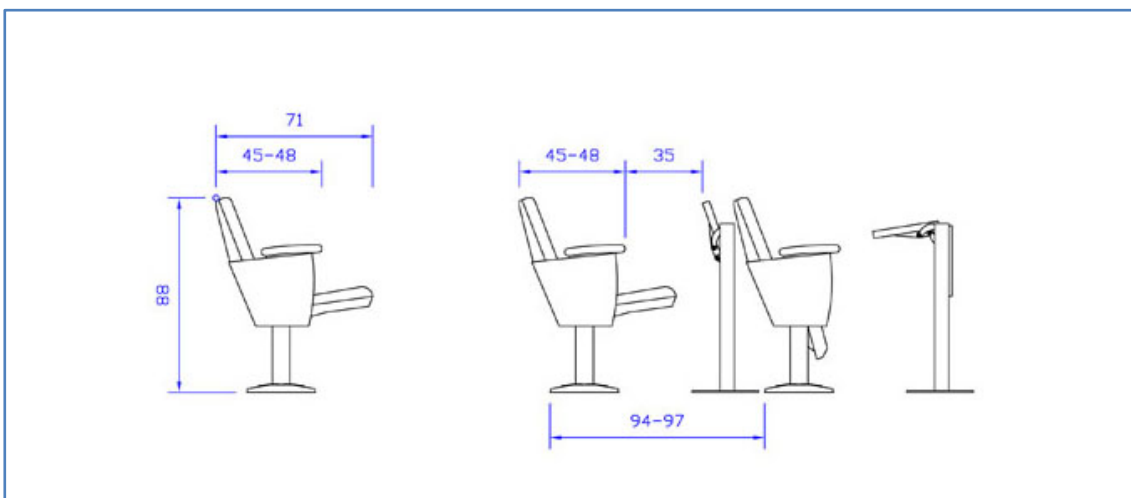
Light with Anti-Panic writing tablet



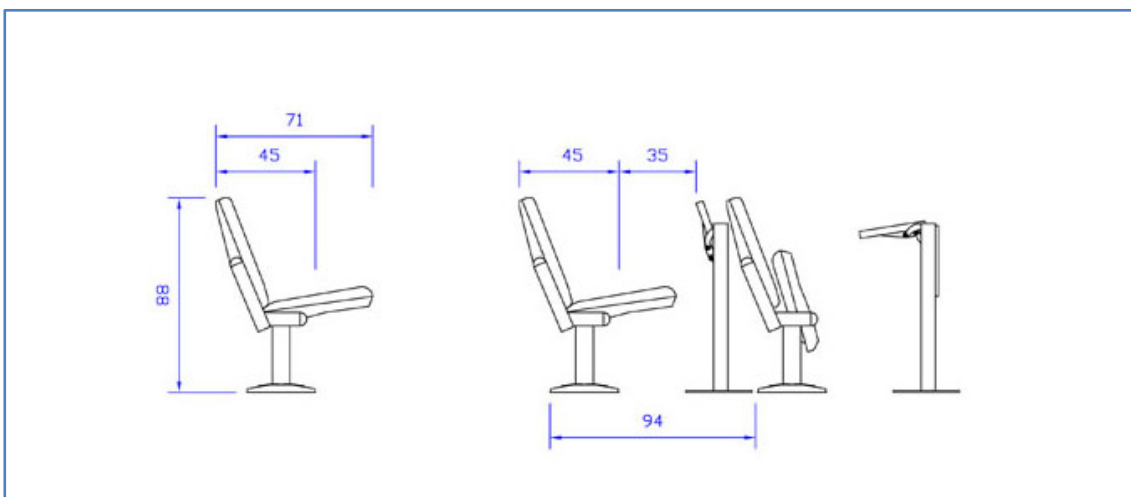
Light with Anti-Panic table and no armrests



Light with fixed table and no armrests



Light with individua Anti-Panic table



Light without armrests and with individual Anti-Panic table

** Dimensions are indicative and they could be modified according to the needs*