



TIGRAY series includes high functionality modern designed seats with classic look.

They are ideal for amphitheatres, theaters, music halls and conventional centers. They can be equipped with anti-panic writing tablet or combined with fixed tables. Also they can house translation and microphone systems and devices.

TIGRAY series Technical Characteristics

GENERAL:

TIGRAY series seats can be installed in straight or curved lines.

It consists of seat, backrest, and side metal supporting frame (leg) with armrest. The side metal supporting frame with the arm is inserted between two successive seats and the end of each row finishes with an additional side frame.

The seat tilts automatically to provide more free space.

Backrest, seat and arms can be easily removed if there is a need to be replaced.

All metal parts are painted with epoxy powder.

Backrest:

Backrest rear part is made of shaped plywood. Its total thickness is 14 mm. Backrest's bucket type cushions is made of anatomical shaped polyurethane foam with internal wooden frame and it is upholstered with flame retardant fabric.

Seat:

Seats front part is made of shaped plywood. Its total thickness is 14 mm. Seat's cushions is made of shaped polyurethane foam with internal wooden frame and it is upholstered with flame retardant fabric.

Automatic seat - raising system is operated through two aluminum spring mechanism located at the side metal supporting frame (legs).

Frame:

The chair's lateral leg system consists of 80X40X2mm steel tube with a 300X60X8mm foot. It is partial upholstered with wooden parts, foam and fabric.

At the top there is an armrest.

Leg is constructed according to the floor's geometry and permits straight or curved installation.

Armrests:

Armrests are made of solid beech or oak wood

Anti-Panic writing tablet:

Optional Anti-Panic writing tablet concealed in the side frame (leg) is made of plywood or MDF and covered with high pressure laminate (HPL). It operates based on an anti-panic inclination system with aluminum bracket and steel mechanism. While the writing tablet is not in use, it is covered inside the frame.

Cables and devices housing:

In case where there is a need for microphone and translation devices the chair enables wiring installation. It permits wiring access and connections.

Upholstery:

The customer may choose the upholstery from our wide range of high quality and flame retardant fabrics.

Certificates:

BIRO is ISO 9001, ISO 14001 and ISO 45001 certificated.



✓ EN ISO 9001:2015



✓ EN ISO 14001:2015



✓ ISO 45001:2018

Upholstery is certificated for*:

- Abrasion resistance (rubs): ISO 12947-2 (Martindale) 150.000
- Flammability: EN 1021-1 & 2, BS Crib 5
- Light fastness (blue scale): ISO 105-B02 (Xenotest)
- Fastness to rubbing (grey scale): ISO 105-X12 (Crockmeter)

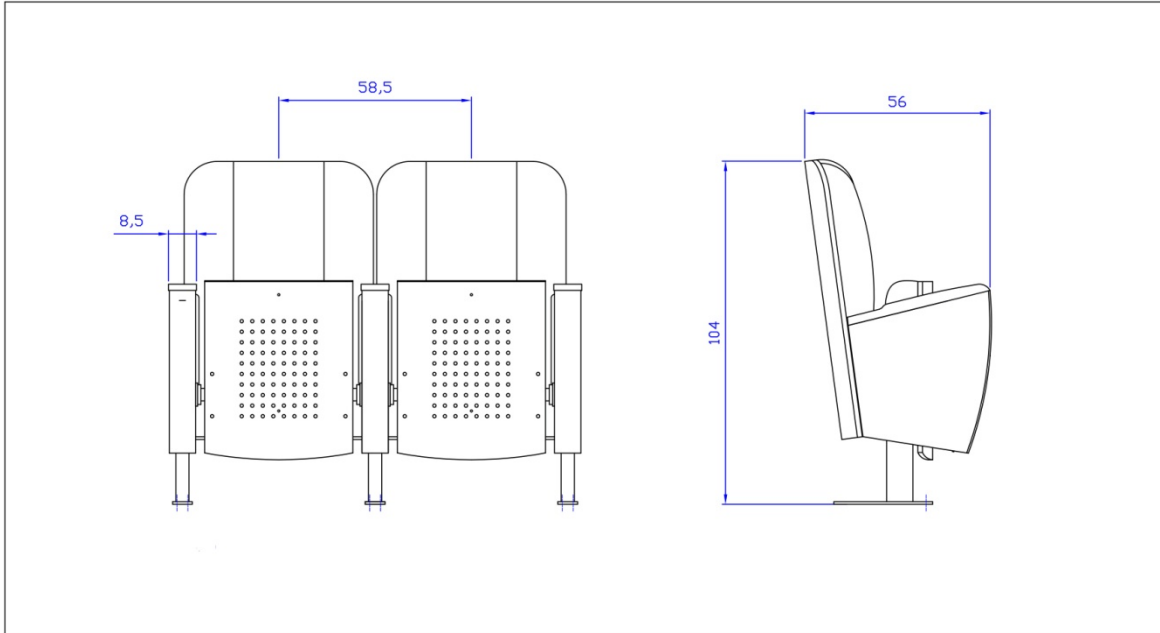
* certificates for *BONDAI series fabrics*

Foam is certificated for flammability according to EN 1021-1 & EN 1021-2 and BS 5852: Part 2, Ignition source 5 (Crib 5) standards.

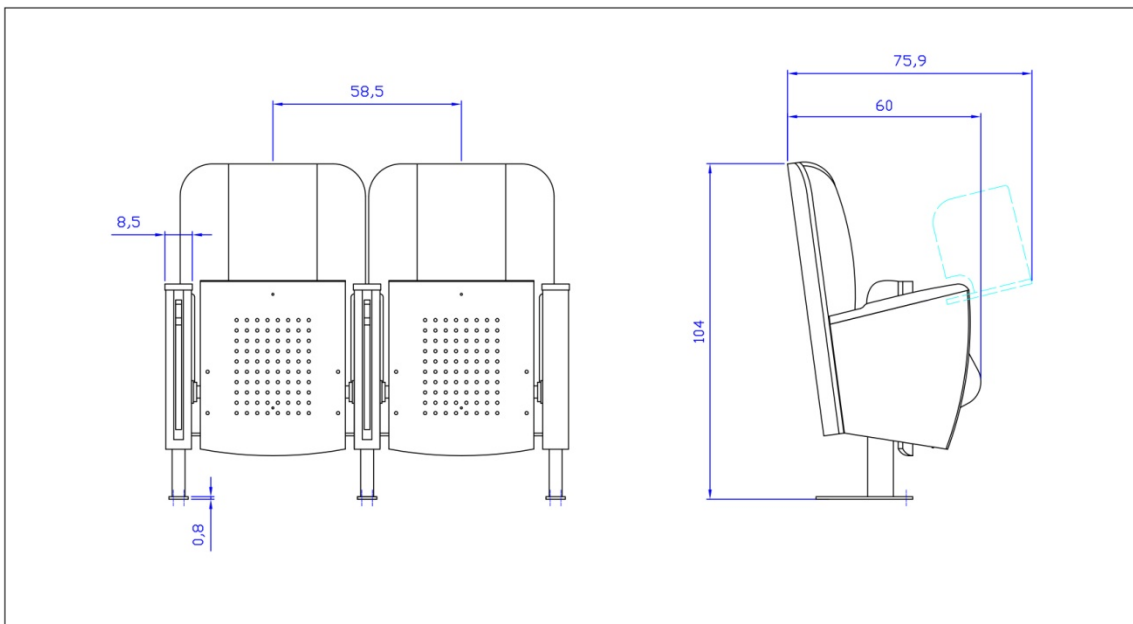
Other options:

Numerous Seat & Row Numbering Alternatives, Integrated Lighting & Translation & Audio Management Alternatives, corridor lighting systems.

Dimensions *:



Standard model



With Anti-Panic writing tablet

** Dimensions are indicative and they could be modified according to the needs*